

CUBIC 8 Bar 25" STR-TDC 120V

POLISHED GRADE 304 Stainless Steel

Controller Features - TDC Timer:

- 4 On/Off programs in a 24hr period
- Temperature Adjustment
- 4 Modes of operation
- Screen Auto-Lock
- One button push - QUICK RUN
- 24hr Clock.



Controller Technical Specifications:

Controller: TDC Timer
INPUT Voltage Range: 90VAC~130VAC
Operating Frequency: 60 Hz \pm 2%
Load Capability: 0.18A~4A
Load Control Range: 40~100%
Standby Current: 3.5mA

HTR Technical Specifications:

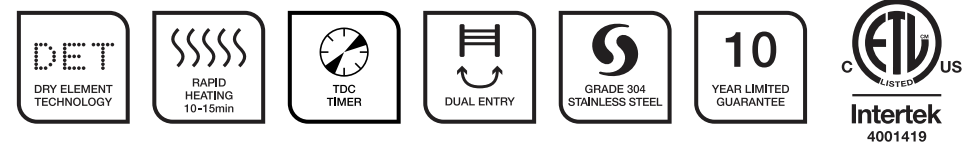
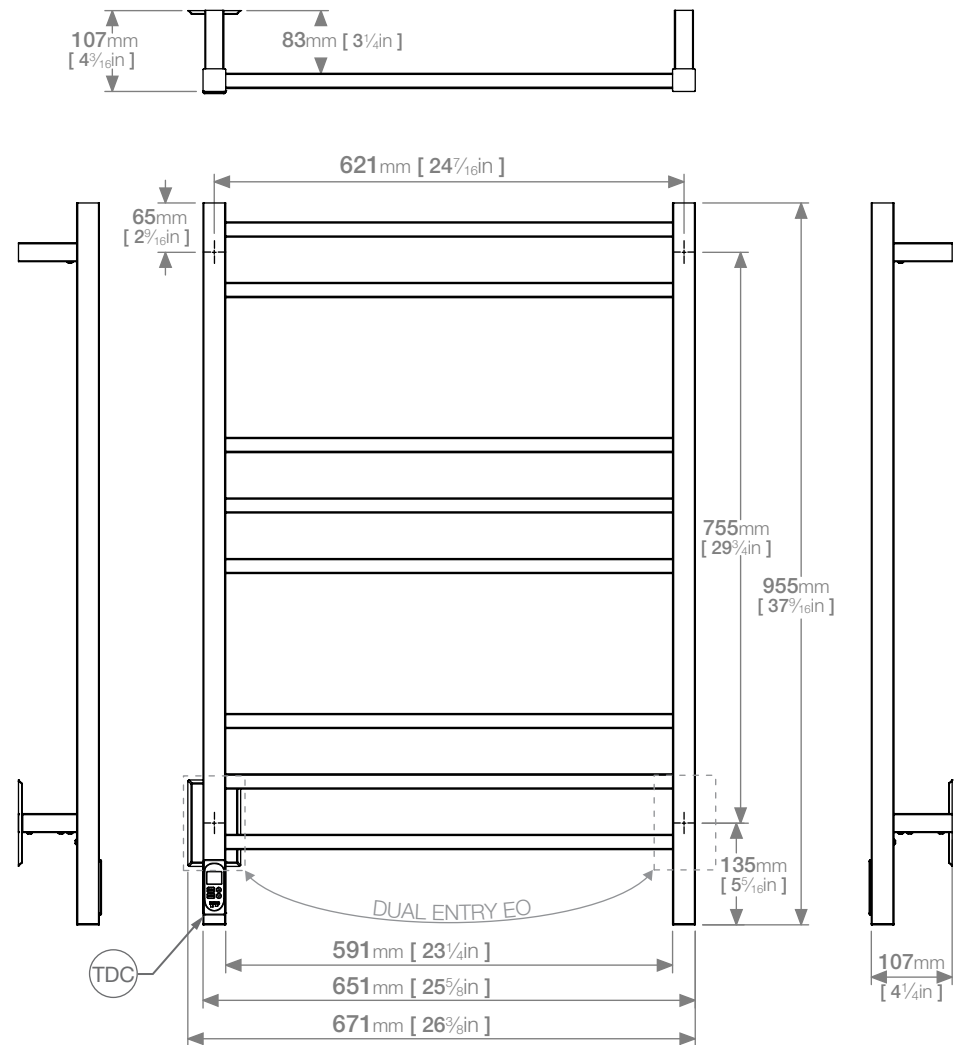
Model: CUB08131-TDC-POLS
Size: 26 $\frac{3}{8}$ " (width) x 37 $\frac{9}{16}$ " (height)
Power: 132 Watts
Current: 1.10 Amps
Volts: 120 VAC

Suggested Height of
 Electrical Outlet = 875mm / 34 $\frac{7}{16}$ "
 (this is only an indication as every installation is different)

NOTES:

- *EO Denotes DUAL ENTRY Electrical Outlet connection
- *TDC Denotes location of TDC Timer

Dimensions given are in mm and in [inches]. Bathroom Butler® reserves the right to alter and/or remove designs from time to time without prior notice. This drawing is to be used for reference purposes only. E & O.E. This product may not be available in your specific country, please check local website for availability.
 Copyright Bathroom Butler® 2016



USA: 631.464.2851 • info@bathroombutler.com • www.bathroombutler.com
 Canada: 519-884-5290 • info@slikportfolio.com • www.bathroombutler.ca

Document version 3.2
 Product version 3.0