

# CONTOUR 6 Bar 650mm STR-TDC 230V

POLISHED GRADE 304 Stainless Steel

## Controller Features - TDC Timer:

- 4 On/Off programs in a 24hr period
- Temperature Adjustment
- 4 Modes of operation
- Screen Auto-Lock
- One button push - QUICK RUN
- 24hr Clock.



## Controller Technical Specifications:

**Controller:** TDC Timer  
**INPUT Voltage Range:** 190VAC~250VAC  
**Operating Frequency:** 50 Hz  $\pm$ 2%  
**Load Capability:** 0.18A~4A  
**Load Control Range:** 40~100%  
**Standby Current:** 3.5mA

## HTR Technical Specifications:

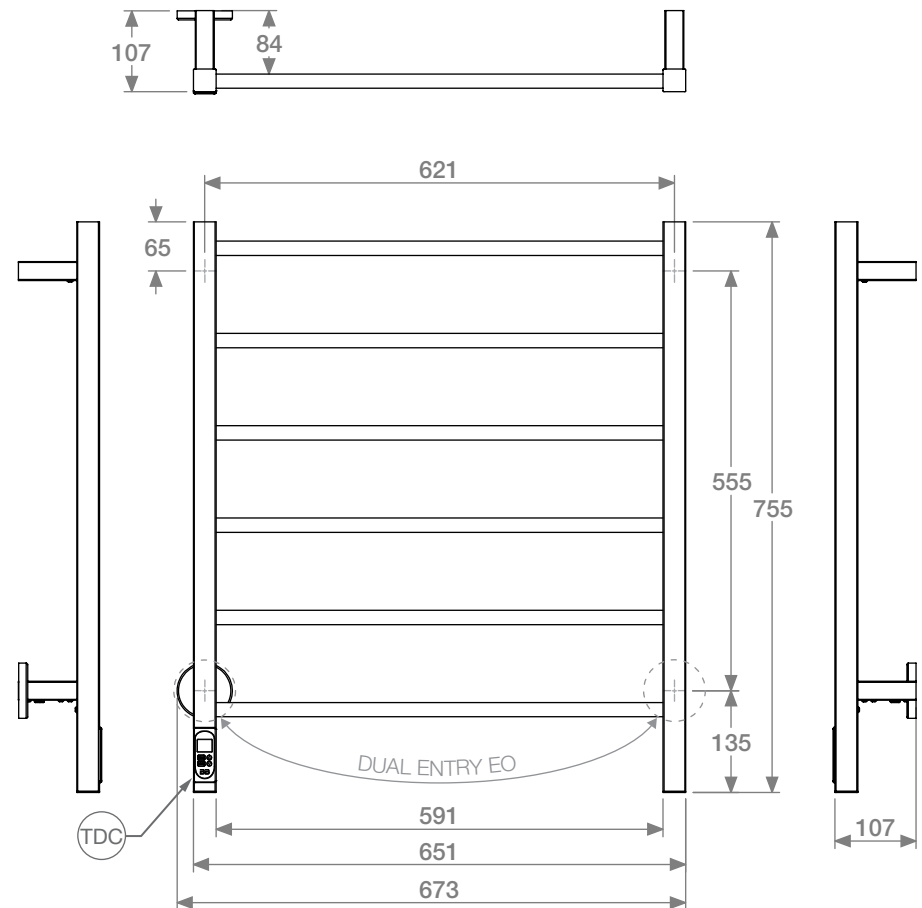
**Model:** CON06231-TDC-POLS  
**Size:** 673mm (width) x 755mm (height)  
**Power:** 75 Watts  
**Current:** 0.33 Amps  
**Volts:** 230 VAC  
**IP Rating:** IPX5

Suggested Height of Electrical Outlet = 1050mm  
*(this is only an indication as every installation is different)*

### NOTES:

\*EO Denotes DUAL ENTRY Electrical Outlet connection

\*TDC Denotes location of TDC Timer



Dimensions given are in mm. Bathroom Butler® reserves the right to alter and/or remove designs from time to time without prior notice. This drawing is to be used for reference purposes only. E & O.E. This product may not be available in your specific country, please check local website for availability. Copyright Bathroom Butler® 2016

**BB**™ BATHROOM BUTLER



South Africa: 0860 104 653 • info@bathroombutler.co.za • www.bathroombutler.co.za  
Australia: 1300 133 320 • sales@bathe.net.au • www.bathe.net.au  
Mauritius: 230 242 1248 • sales@lisinggroup.com • www.bathroombutler.com

Document version **3.3**  
Product version **3.0**